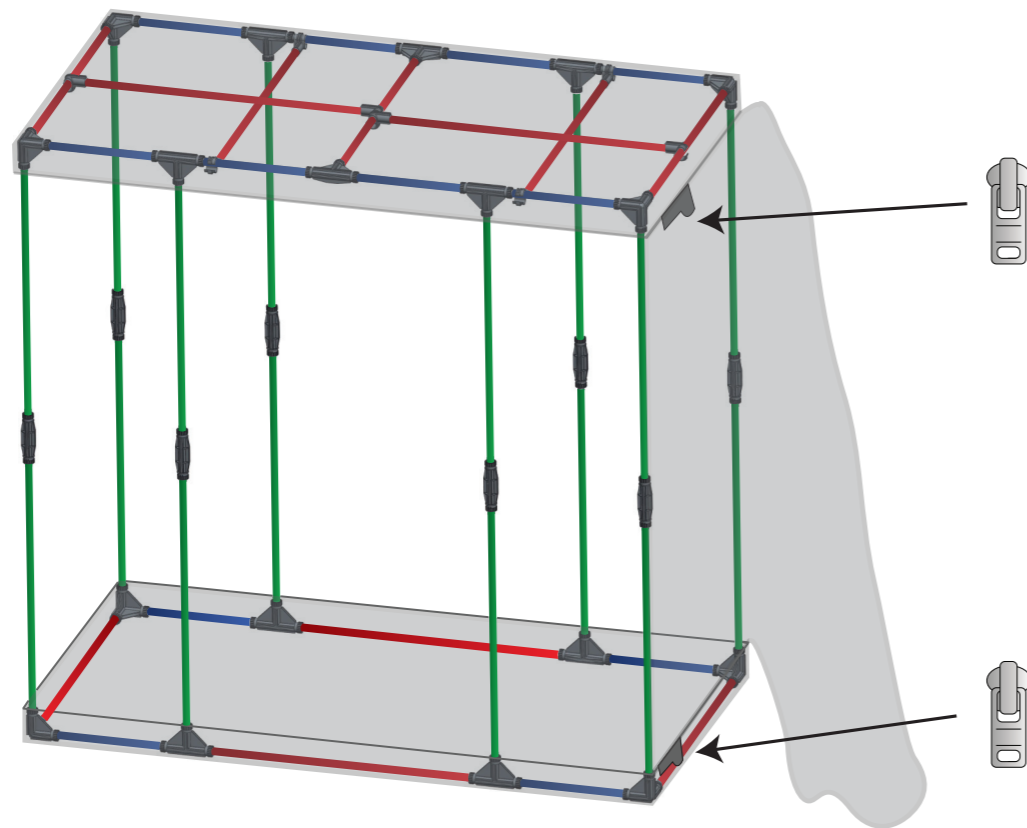


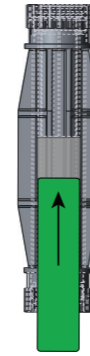
Step 5

Connect wall panel zip to the roof and base zips (under Velcro flaps).

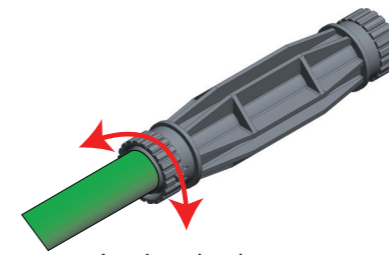


Assembly Instructions

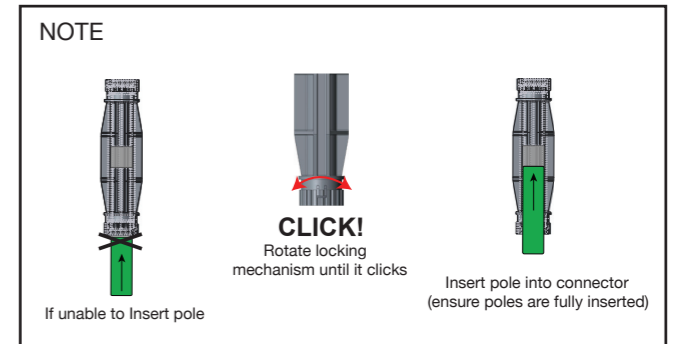
Two Person Assembly Recommended



Insert pole into connector
(ensure poles are fully inserted)



Lock poles into connectors
by rotating left or right



Equipment Hangers

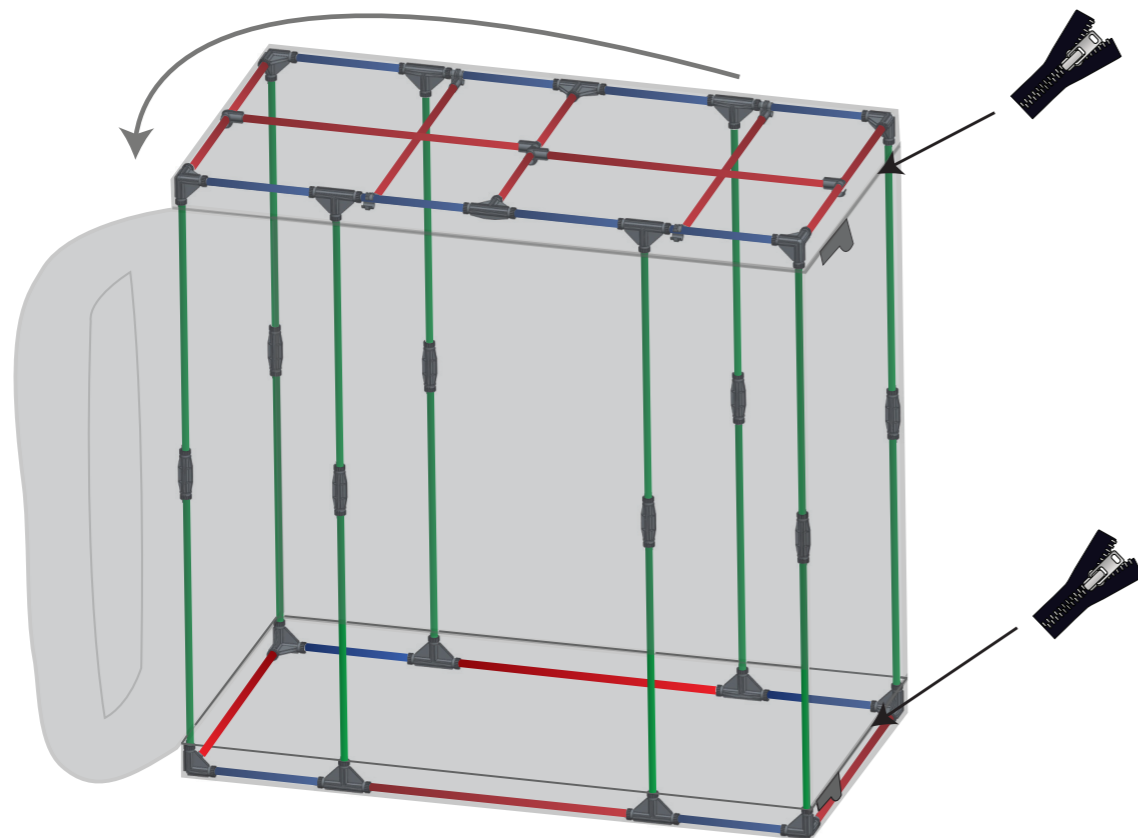
Lower Equipment Hanger



Upper Equipment Hanger

Step 6

Zip the wall panel to the roof and base.



Parts List

Red Pole
x11

Blue pole
x12

Green Pole
x16

Straight
Connector
x8

3-Way
Corner
x8

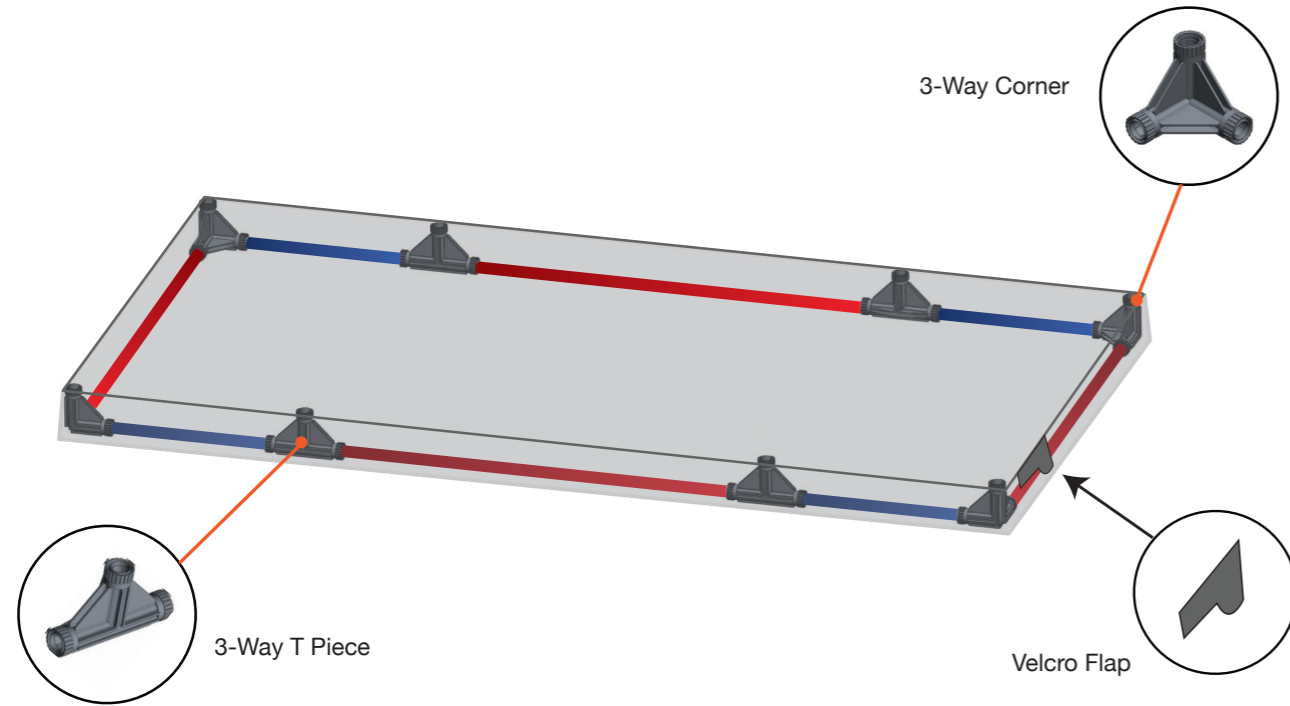
3-Way
T Piece
x10

Equipment
Hanger Ends
x8

mammothtents.nl
EliteHC 300L

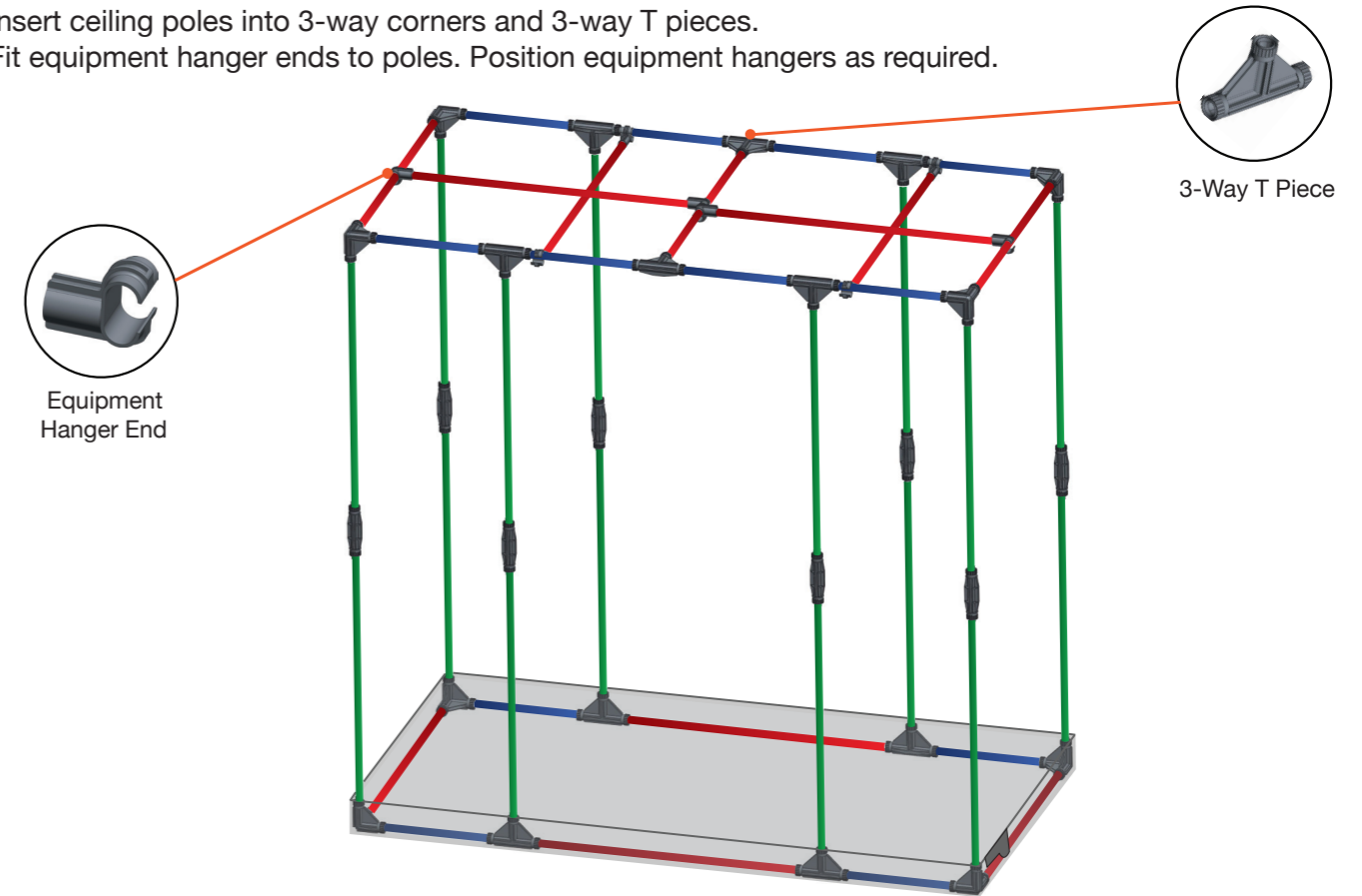
Step 1

Lay out base ensuring Velcro flap is in front right corner.
Assemble floor poles, 3-way corners and 3-way T pieces as shown.



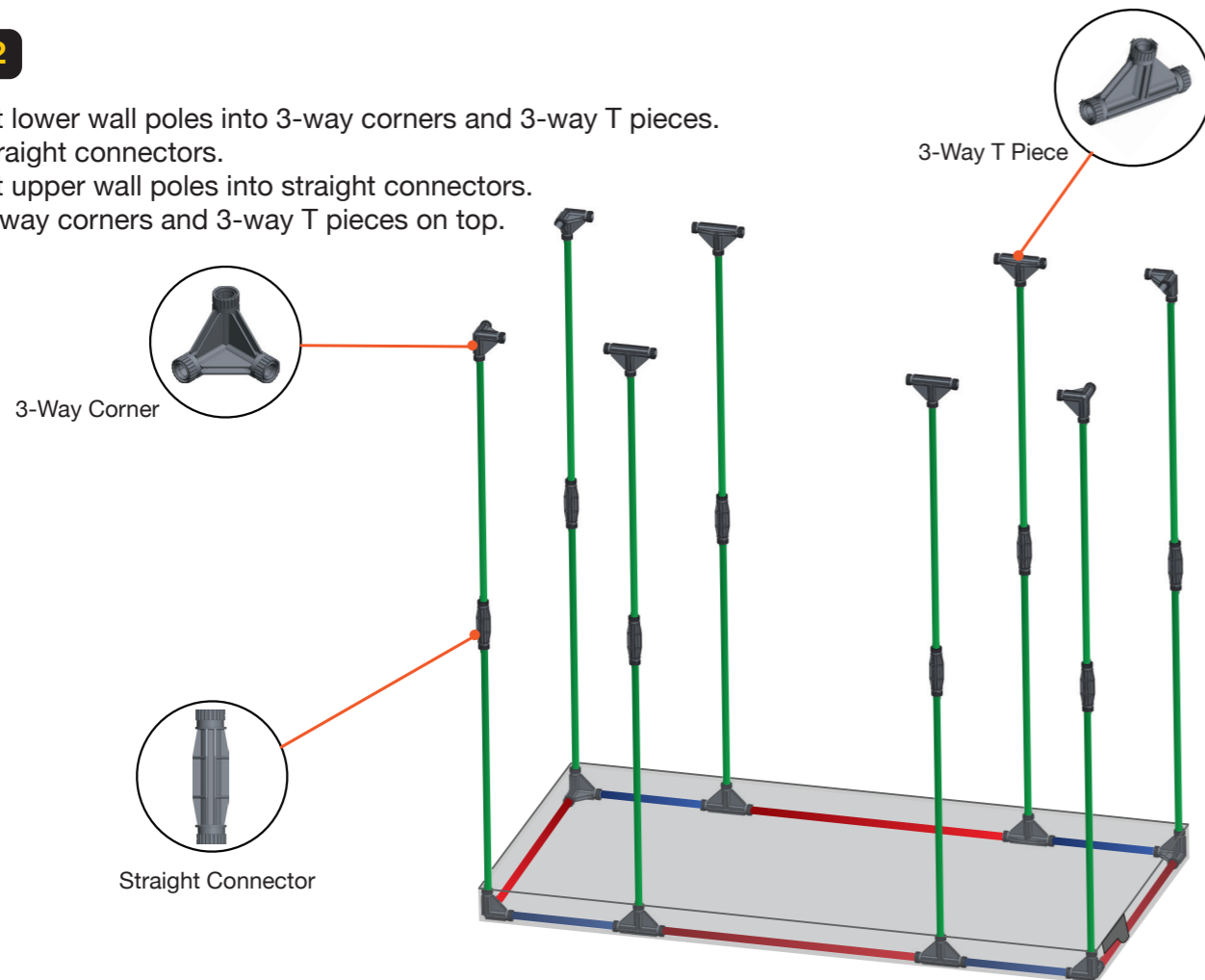
Step 3

Insert ceiling poles into 3-way corners and 3-way T pieces.
Fit equipment hanger ends to poles. Position equipment hangers as required.



Step 2

Insert lower wall poles into 3-way corners and 3-way T pieces.
Fit straight connectors.
Insert upper wall poles into straight connectors.
Fit 3-way corners and 3-way T pieces on top.



Step 4

Fit roof ensuring Velcro flap is in front right corner.

